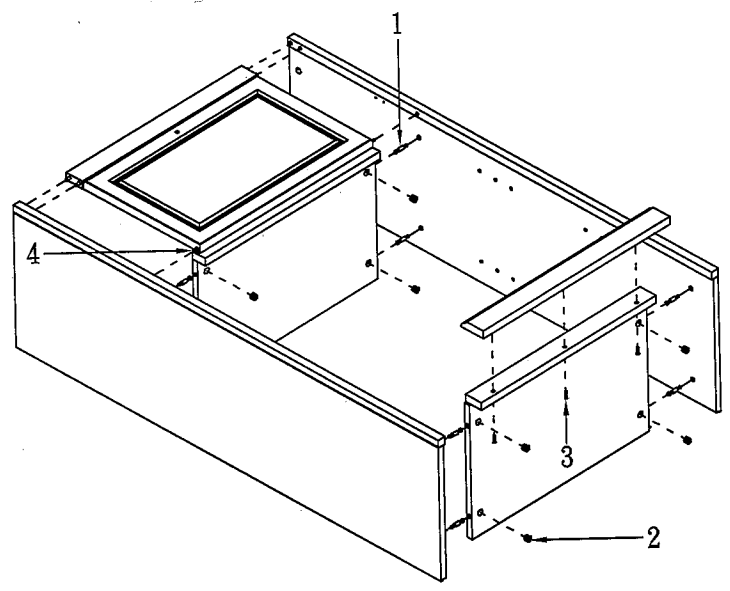
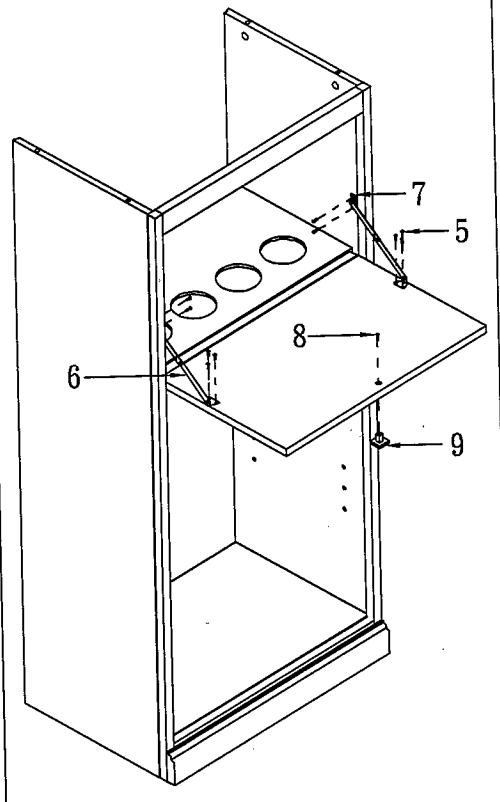


# ASSEMBLY INSTRUCTIONS

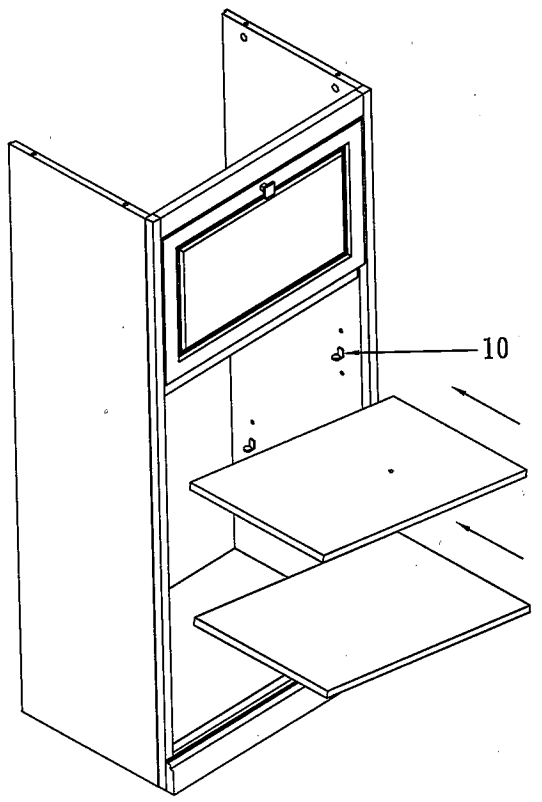
step 1



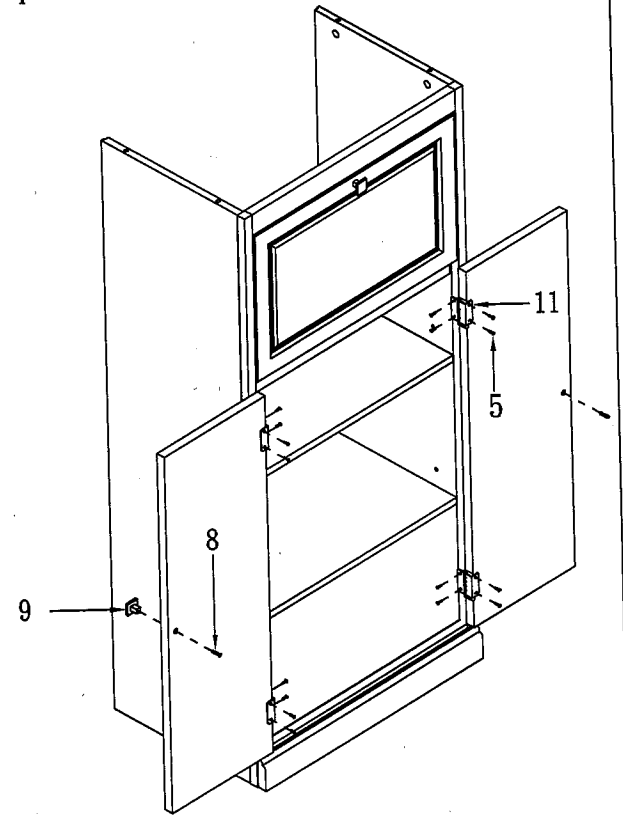
step 2



step 3



step 4



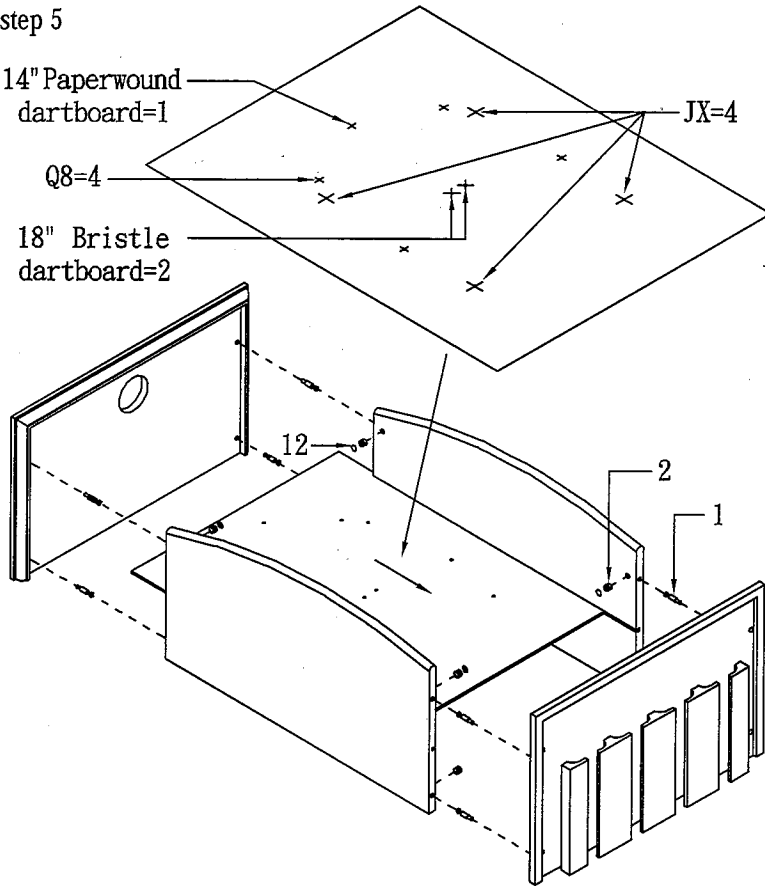
# ASSEMBLY INSTRUCTIONS

step 5

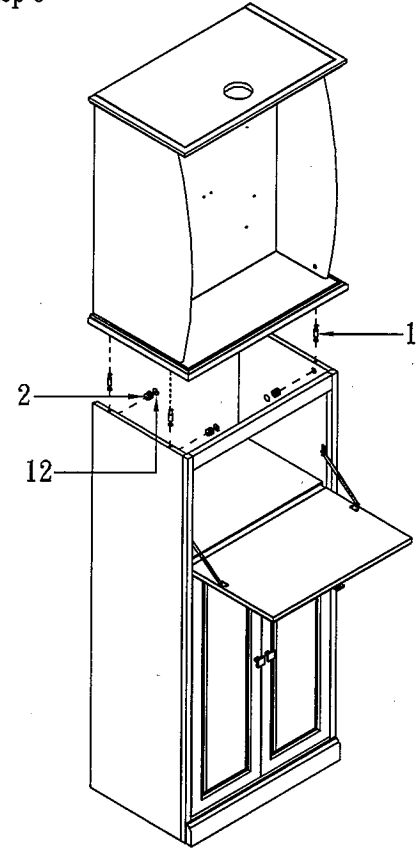
14" Paperwound  
dartboard=1

Q8=4

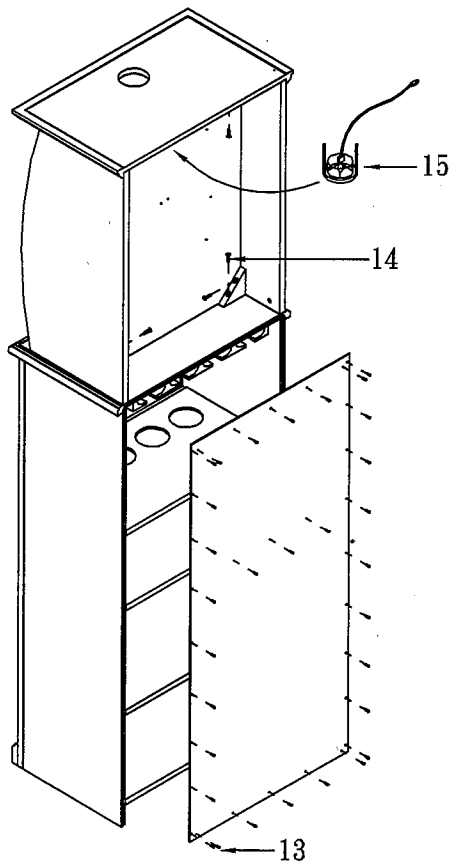
18" Bristle  
dartboard=2



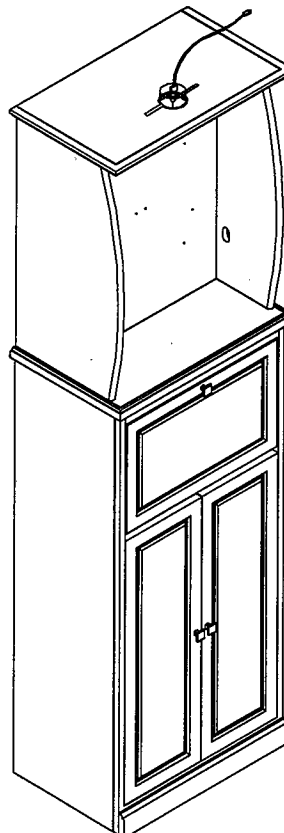
step 6



step 7



step 8



## HARDWARE LIST

NO.		QT' Y
1		20
2		20
3	$\phi 6.3m$	3
4		2
5	$\phi 3.13m$ (Antique brass)	26
6		1
7		1
8	$\phi 4.2m$	3
9		3
10		8
11		4
12		8
13	$\phi 3*13mm$ (Black)	31
14	$\phi 3.52m$ (Black)	8
15		1

# ASSEMBLY INSTRUCTION

